


ORCAS ISLAND AIRPORT (ORS) EASTSOUND, WASHINGTON AIRPORT LAYOUT PLAN

FEBRUARY 2021
AIP 3-53-0023-014-2017

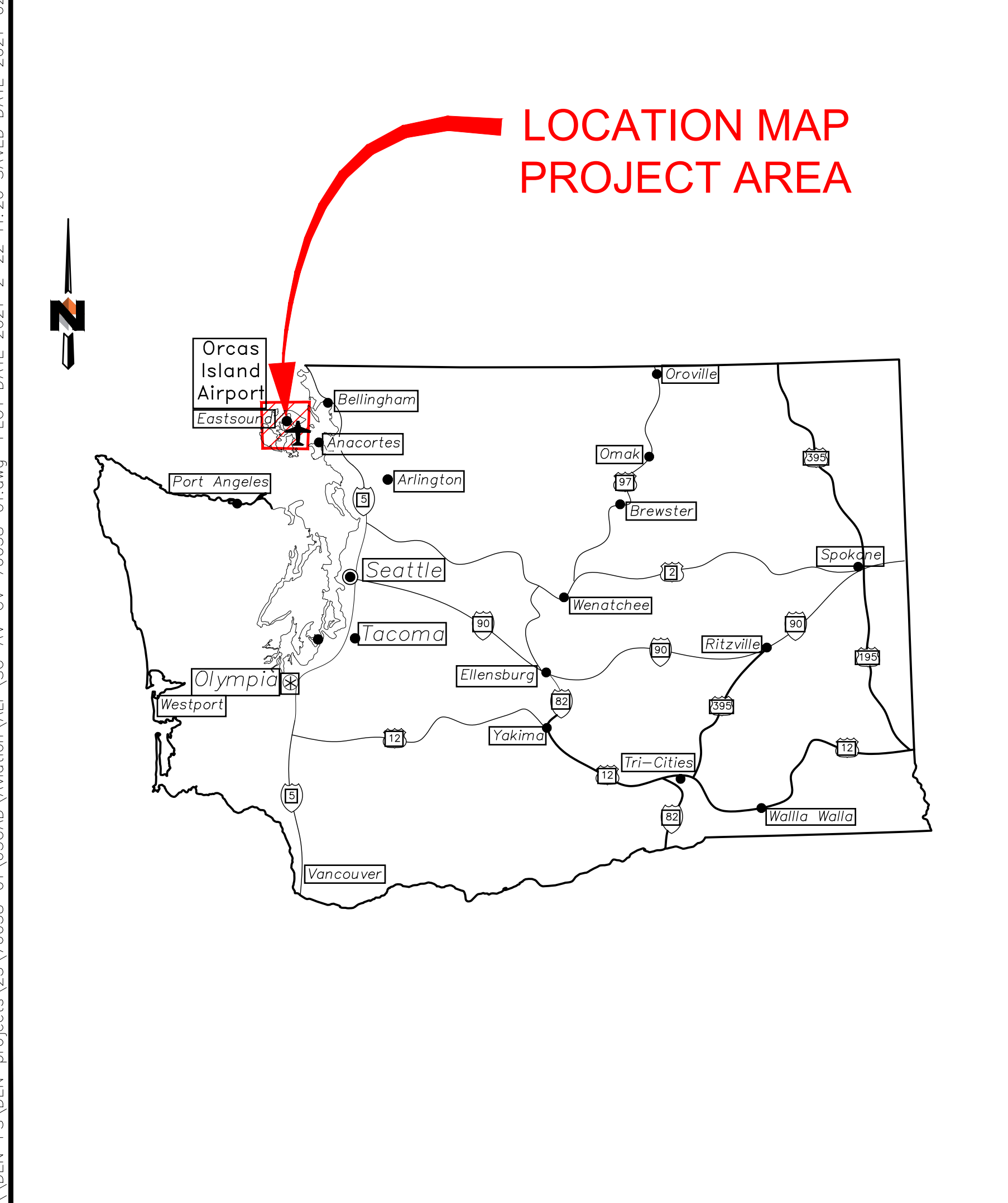
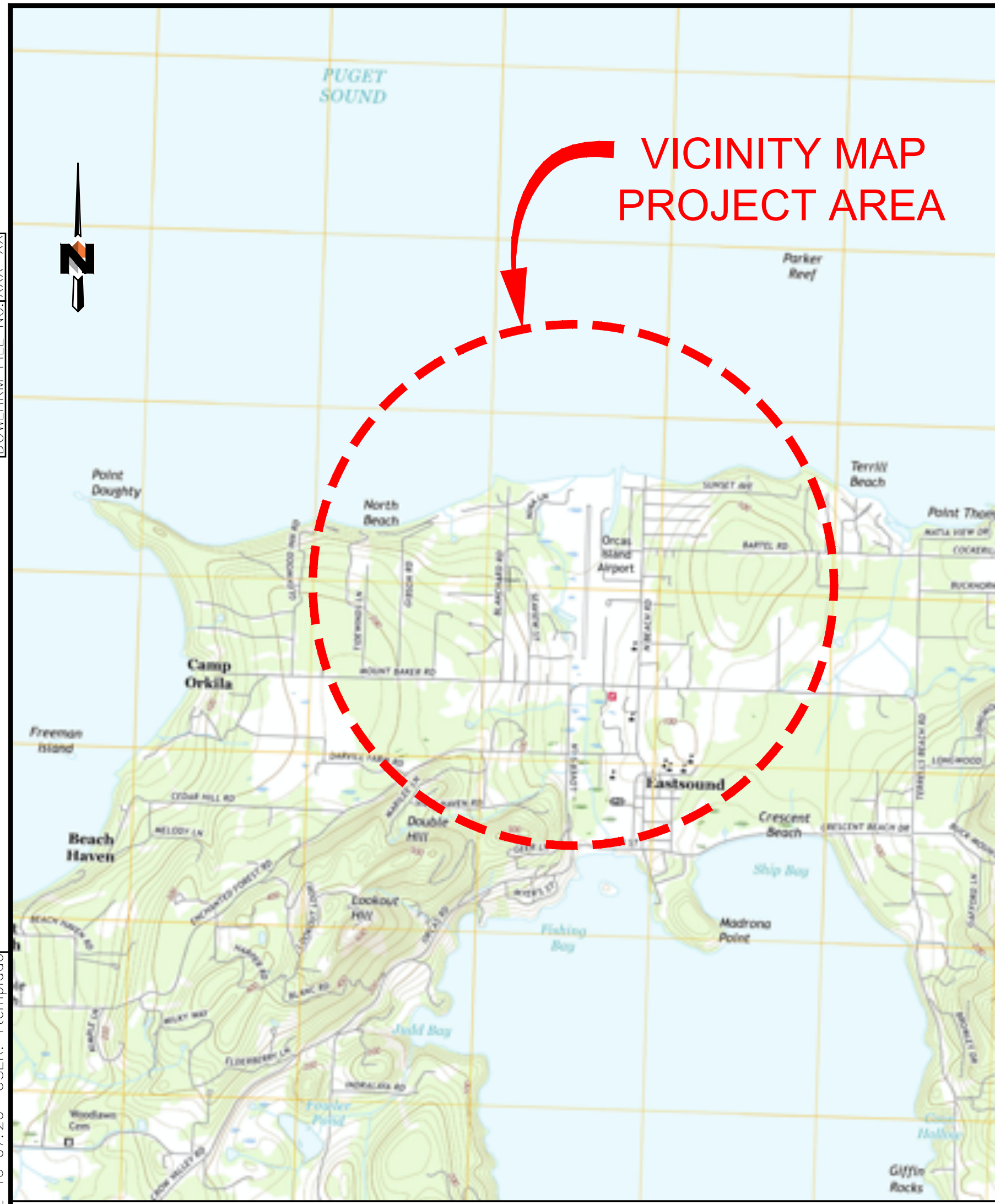
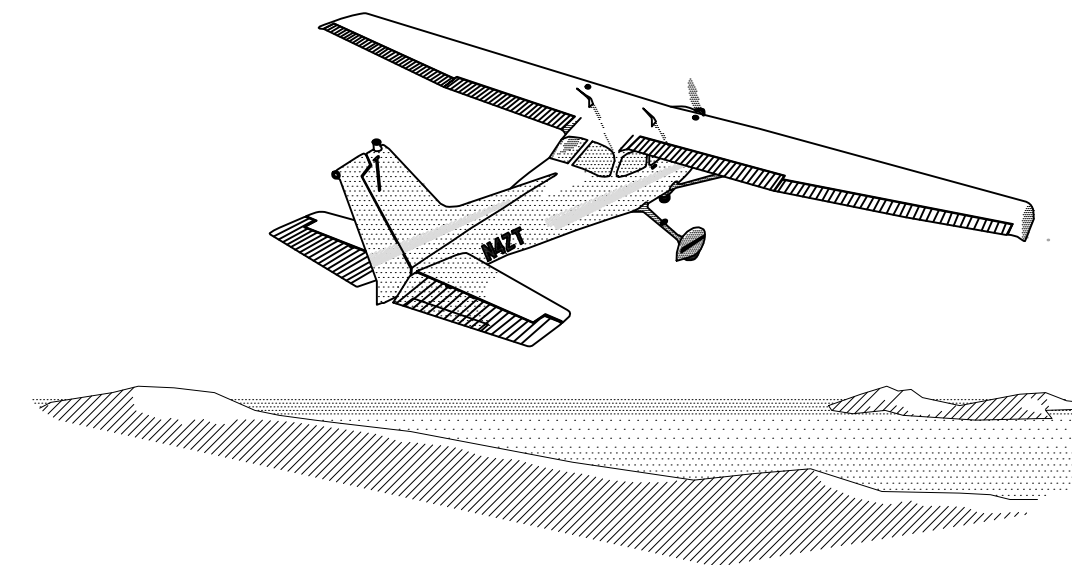
PREPARED FOR:

ORCAS ISLAND AIRPORT
PORT OF ORCAS
P.O. BOX 53
EASTSOUND, WA 98245
PHONE 360-376-5285
MANAGER: JEANNIE SHARPE-FRANK

PREPARED BY:



DOWL
WWW.DOWL.COM
8410 154th Avenue NE
Redmond, Washington 98052
425-869-2670



SPONSOR APPROVAL	
Airport Manager	DATE
WSDOT APPROVAL	
	DATE
FAA APPROVAL	

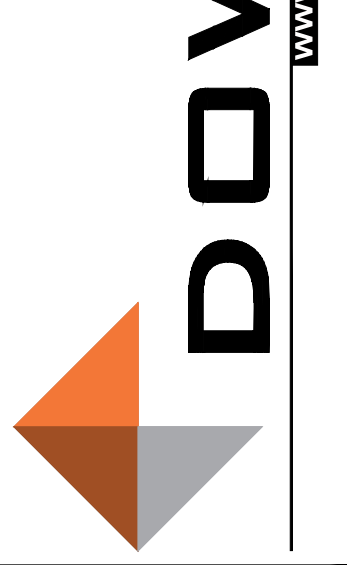
DRAWING INDEX		
SHEET NO.	DRAWING TITLE	REVISION DATE
1	TITLE SHEET	2/22/2021
2	AIRPORT DATA SHEET	2/22/2021
3	AIRPORT LAYOUT PLAN DRAWING	2/22/2021
4	AIRPORT AIRSPACE DRAWING	2/22/2021
5	RWY 16-34 INNER PORTION OF THE APPROACH SURFACE DRAWING PLAN & PROFILE	2/22/2021
6	RWY 16-34 DEPARTURE SURFACE DRAWING PLAN & PROFILE	2/22/2021
7	TERMINAL AREA DRAWING (SE DEVELOPMENT)	2/22/2021
8	TERMINAL AREA DRAWING (WESTSIDE DEVELOPMENT)	2/22/2021
9	AIRPORT LAND USE DRAWING	2/22/2021
10	AIRPORT PROPERTY MAP-EXHIBIT A-1	2/22/2021
11	AIRPORT PROPERTY MAP-EXHIBIT A-2	2/22/2021

ABBREVIATIONS

AC	ADVISORY CIRCULAR	EL	ELEVATION	NAVD88	NORTH AMERICAN VERTICAL DATUM OF 1988	RPZ	RUNWAY PROTECTION ZONE
ALP	AIRPORT LAYOUT PLAN	ELEV	ELEVATION	NOAA	NATIONAL OCEANIC AND ATMOSPHERIC ADMINISTRATION	RRC	RUNWAY REFERENCE CODE
ALS	APPROACH LIGHTING SYSTEM	FAA	FEDERAL AVIATION ADMINISTRATION	NOS	NATIONAL OCEAN SERVICE	RSA	RUNWAY SAFETY AREA
APRC	APPROACH REFERENCE CODE	FBO	FIXED BASE OPERATOR	NPI	NON-PRECISION INSTRUMENT	RW OR R/W	RUNWAY
ARC	AIRPORT REFERENCE CODE	FG	FINISHED GRADE	NOTAMS	NOTICE TO AIRMEN	RVZ	RUNWAY VISIBILITY ZONE
ARP	AIRPORT REFERENCE POINT	GA	GENERAL AVIATION	NTS	NOT TO SCALE	SREF	SNOW REMOVAL EQUIPMENT FACILITY
ARPZ	APPROACH RUNWAY PROTECTION ZONE	ILS	INSTRUMENT LANDING SYSTEM	PCS	OBSTACLE CLEARANCE SURFACE	TBD	TO BE DETERMINED
ASDA	ACCELERATE STOP DISTANCE AVAILABLE	LAT	LATITUDE	PACS/SACS	PRIMARY AND SECONDARY AIRPORT CONTROL STATIONS	TERPS	TERMINAL INSTRUMENT PROCEDURES
ASOS	AUTOMATED SURFACE OBSERVATION SYSTEM	LDA	LANDING DISTANCE AVAILABLE	PAPI	PRECISION APPROACH PATH INDICATOR	TDG	TAXIWAY DESIGN GROUP
AWOS	AUTOMATED WEATHER OBSERVATION SYSTEM	LOC	INSTRUMENT LANDING SYSTEM LOCALIZER	PCI	PAVEMENT CONDITION INDEX	TODA	TAKE OFF DISTANCE AVAILABLE
BLDG	BUILDING	LONG	LONGITUDE	PCN	PAVEMENT CLASSIFICATION NUMBER	TOFA	TAXIWAY OBJECT FREE AREA
BRL	BUILDING RESTRICTION LINE	MALS	MEDIUM INTENSITY APPROACH LIGHTING SYSTEM	POFZ	PRECISION OBSTACLE FREE ZONE	TORA	TAKE OFF RUN AVAILABLE
CL	CENTERLINE	MAX	MAXIMUM	R	RADIUS	TSS	THRESHOLD SITING SURFACE
DPRC	DEPARTURE REFERENCE CODE	MIN	MINIMUM	RDC	DESIGN CODE	TW OR T/W	TAXIWAY
DRPZ	DEPARTURE RUNWAY PROTECTION ZONE	MIRL	MEDIUM INTENSITY RUNWAY LIGHTS	REIL	RUNWAY END IDENTIFIER LIGHTS	TYP	TYPICAL
E	EXISTING	MSL	MEAN SEA LEVEL	ROFA	RUNWAY OBJECT FREE AREA	TSA	TAXIWAY SAFETY AREA
EG	EXISTING GROUND	N/A	NOT APPLICABLE	ROFZ	RUNWAY OBSTACLE FREE ZONE	U	ULTIMATE
		NAD83	NORTH AMERICAN DATUM OF 1983			USGS	U.S. GEOLOGICAL SURVEY

REV	DATE	DESCRIPTION

SHEET INFO	REVISIONS
DESIGNED	RT
DRAWN	RL
CHECKED	ES
APPROVED	LAH
LAST EDIT	2/16/21
PLOT DATE	2/22/21



ORCAS ISLAND AIRPORT (ORS)
EASTSOUND, WASHINGTON
AIRPORT LAYOUT PLAN
TITLE SHEET

PROJECT	76038.01
DATE	2/22/21

11